

A Story of Ratios[®]

Eureka Math[™]

Grade 7, Module 3

Student File_B

*Contains Exit Ticket,
and Assessment Materials*

Published by Great Minds[®].

Copyright © 2015 Great Minds. All rights reserved. No part of this work may be reproduced or used in any form or by any means — graphic, electronic, or mechanical, including photocopying or information storage and retrieval systems — without written permission from the copyright holder.

Printed in the U.S.A.

This book may be purchased from the publisher at eureka-math.org

10 9 8 7 6 5 4 3 2 1

Sprint and Fluency Packet

Number Correct: _____

Generating Equivalent Expressions—Round 1

Directions: Write each as an equivalent expression in standard form as quickly and as accurately as possible within the allotted time.

1.	$1 + 1$	
2.	$1 + 1 + 1$	
3.	$(1 + 1) + 1$	
4.	$(1 + 1) + (1 + 1)$	
5.	$(1 + 1) + (1 + 1 + 1)$	
6.	$x + x$	
7.	$x + x + x$	
8.	$(x + x) + x$	
9.	$(x + x) + (x + x)$	
10.	$(x + x) + (x + x + x)$	
11.	$(x + x + x) + (x + x + x)$	
12.	$2x + x$	
13.	$3x + x$	
14.	$4x + x$	
15.	$7x + x$	
16.	$7x + 2x$	
17.	$7x + 3x$	
18.	$10x - x$	
19.	$10x - 5x$	
20.	$10x - 10x$	
21.	$10x - 11x$	
22.	$10x - 12x$	

23.	$4x + 6x - 12x$	
24.	$4x - 6x + 4x$	
25.	$7x - 2x + 3$	
26.	$(4x + 3) + x$	
27.	$(4x + 3) + 2x$	
28.	$(4x + 3) + 3x$	
29.	$(4x + 3) + 5x$	
30.	$(4x + 3) + 6x$	
31.	$(11x + 2) - 2$	
32.	$(11x + 2) - 3$	
33.	$(11x + 2) - 4$	
34.	$(11x + 2) - 7$	
35.	$(3x - 9) + (3x + 5)$	
36.	$(11 - 5x) + (4x + 2)$	
37.	$(2x + 3y) + (4x + y)$	
38.	$(5x + 1.3y) + (2.9x - 0.6y)$	
39.	$(2.6x - 4.8y) + (6.5x - 1.1y)$	
40.	$\left(\frac{3}{4}x - \frac{1}{2}y\right) + \left(-\frac{7}{4}x - \frac{5}{2}y\right)$	
41.	$\left(-\frac{2}{5}x - \frac{7}{9}y\right) + \left(-\frac{7}{10}x - \frac{2}{3}y\right)$	
42.	$\left(\frac{1}{2}x - \frac{1}{4}y\right) + \left(-\frac{3}{5}x + \frac{5}{6}y\right)$	
43.	$\left(1.2x - \frac{3}{4}y\right) - \left(-\frac{3}{5}x + 2.25y\right)$	
44.	$(3.375x - 8.9y) - \left(-7\frac{5}{8}x - 5\frac{2}{5}y\right)$	

Number Correct: _____

Improvement: _____

Generating Equivalent Expressions—Round 2

Directions: Write each as an equivalent expression in standard form as quickly and as accurately as possible within the allotted time.

1.	$1 + 1 + 1$	
2.	$1 + 1 + 1 + 1$	
3.	$(1 + 1 + 1) + 1$	
4.	$(1 + 1 + 1) + (1 + 1)$	
5.	$(1 + 1 + 1) + (1 + 1 + 1)$	
6.	$x + x + x$	
7.	$x + x + x + x$	
8.	$(x + x + x) + x$	
9.	$(x + x + x) + (x + x)$	
10.	$(x + x + x) + (x + x + x)$	
11.	$(x + x + x + x) + (x + x)$	
12.	$x + 2x$	
13.	$x + 4x$	
14.	$x + 6x$	
15.	$x + 8x$	
16.	$7x + x$	
17.	$8x + 2x$	
18.	$2x - x$	
19.	$2x - 2x$	
20.	$2x - 3x$	
21.	$2x - 4x$	
22.	$2x - 8x$	

23.	$3x + 5x - 4x$	
24.	$8x - 6x + 4x$	
25.	$7x - 4x + 5$	
26.	$(9x - 1) + x$	
27.	$(9x - 1) + 2x$	
28.	$(9x - 1) + 3x$	
29.	$(9x - 1) + 5x$	
30.	$(9x - 1) + 6x$	
31.	$(-3x + 3) - 2$	
32.	$(-3x + 3) - 3$	
33.	$(-3x + 3) - 4$	
34.	$(-3x + 3) - 5$	
35.	$(5x - 2) + (2x + 5)$	
36.	$(8 - x) + (3x + 2)$	
37.	$(5x + y) + (x + y)$	
38.	$\left(\frac{5}{2}x + \frac{3}{2}y\right) + \left(\frac{11}{2}x - \frac{3}{4}y\right)$	
39.	$\left(\frac{1}{6}x - \frac{3}{8}y\right) + \left(\frac{2}{3}x - \frac{7}{4}y\right)$	
40.	$(9.7x - 3.8y) + (-2.8x + 4.5y)$	
41.	$(1.65x - 2.73y) + (-1.35x + 3.76y)$	
42.	$(6.51x - 4.39y) + (-7.46x + 8.11y)$	
43.	$\left(0.7x - \frac{2}{9}y\right) - \left(-\frac{7}{5}x + 2\frac{1}{3}y\right)$	
44.	$(8.4x - 2.25y) - \left(-2\frac{1}{2}x - 4\frac{3}{8}y\right)$	

Exit Ticket Packet

Name _____

Date _____

Lesson 2: Generating Equivalent Expressions

Exit Ticket

1. Write the expression in standard form.

$$(4f - 3 + 2g) - (-4g + 2)$$

2. Find the result when $5m + 2$ is subtracted from $9m$.

3. Write the expression in standard form.

$$27h \div 3h$$

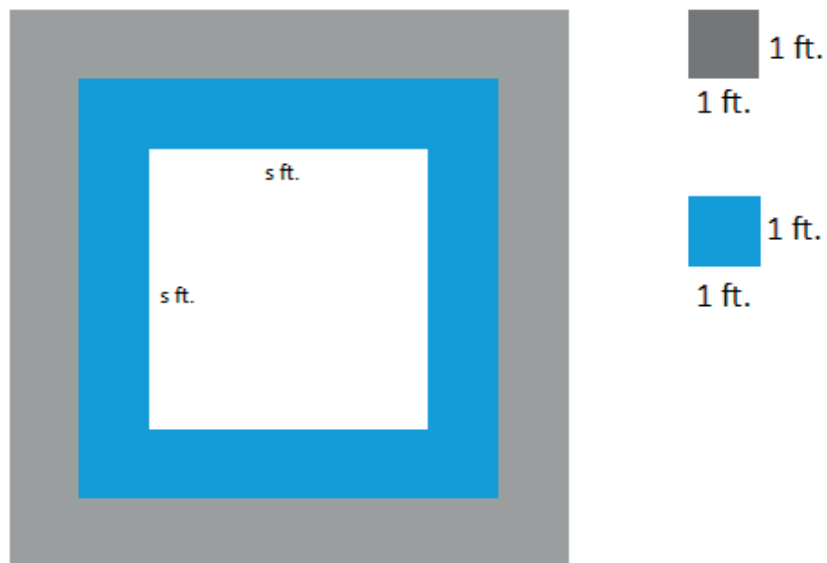
Name _____

Date _____

Lesson 3: Writing Products as Sums and Sums as Products

Exit Ticket

A square fountain area with side length s ft. is bordered by two rows of square tiles along its perimeter as shown. Express the total number of grey tiles (the second border of tiles) needed in terms of s three different ways.



Name _____

Date _____

Lesson 4: Writing Products as Sums and Sums as Products

Exit Ticket

1. Write the expression below in standard form.

$$3h - 2(1 + 4h)$$

2. Write the expression below as a product of two factors.

$$6m + 8n + 4$$

Name _____

Date _____

Lesson 6: Collecting Rational Number Like Terms

Exit Ticket

For the problem $\frac{1}{5}g - \frac{1}{10} - g + 1\frac{3}{10}g - \frac{1}{10}$, Tyson created an equivalent expression using the following steps.

$$\begin{aligned} \frac{1}{5}g + -1g + 1\frac{3}{10}g + -\frac{1}{10} + -\frac{1}{10} \\ -\frac{4}{5}g + 1\frac{1}{10} \end{aligned}$$

Is his final expression equivalent to the initial expression? Show how you know. If the two expressions are not equivalent, find Tyson's mistake and correct it.

Name _____

Date _____

Lesson 7: Understanding Equations

Exit Ticket

1. Check whether the given value of x is a solution to the equation. Justify your answer.

a. $\frac{1}{3}(x + 4) = 20$ $x = 48$

b. $3x - 1 = 5x + 10$ $x = -5\frac{1}{2}$

2. The total cost of four pens and seven mechanical pencils is \$13.25. The cost of each pencil is 75 cents.
- a. Using an arithmetic approach, find the cost of a pen.

- b. Let the cost of a pen be p dollars. Write an expression for the total cost of four pens and seven mechanical pencils in terms of p .
- c. Write an equation that could be used to find the cost of a pen.
- d. Determine a value for p for which the equation you wrote in part (b) is true.
- e. Determine a value for p for which the equation you wrote in part (b) is false.

Name _____

Date _____

Lesson 8: Using If-Then Moves in Solving Equations

Exit Ticket

Mrs. Canale's class is selling frozen pizzas to earn money for a field trip. For every pizza sold, the class makes \$5.35. They have already earned \$182.90 toward their \$750 goal. How many more pizzas must they sell to earn \$750? Solve this problem first by using an arithmetic approach, then by using an algebraic approach. Compare the calculations you made using each approach.

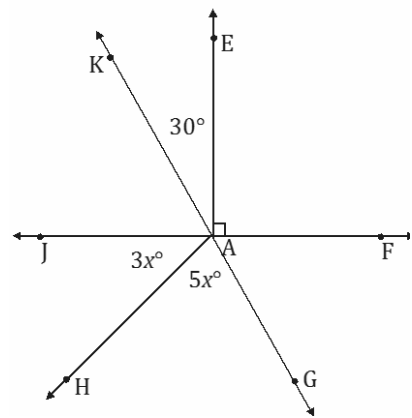
Name _____

Date _____

Lesson 10: Angle Problems and Solving Equations

Exit Ticket

In a complete sentence, describe the relevant angle relationships in the following diagram. That is, describe the angle relationships you could use to determine the value of x .



Use the angle relationships described above to write an equation to solve for x . Then, determine the measurements of $\angle JAH$ and $\angle HAG$.

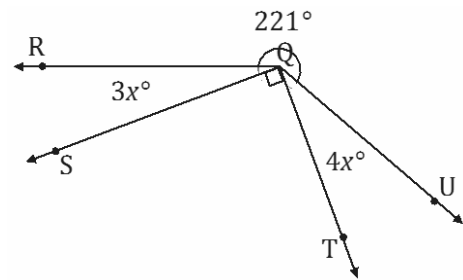
Name _____

Date _____

Lesson 11: Angle Problems and Solving Equations

Exit Ticket

Write an equation for the angle relationship shown in the figure and solve for x . Find the measures of $\angle RQS$ and $\angle TQU$.



Name _____

Date _____

Lesson 12: Properties of Inequalities

Exit Ticket

- Given the initial inequality $-4 < 7$, state possible values for c that would satisfy the following inequalities.
 - $c(-4) < c(7)$
 - $c(-4) > c(7)$
 - $c(-4) = c(7)$
- Given the initial inequality $2 > -4$, identify which operation preserves the inequality symbol and which operation reverses the inequality symbol. Write the new inequality after the operation is performed.
 - Multiply both sides by -2 .
 - Add -2 to both sides.
 - Divide both sides by 2 .
 - Multiply both sides by $-\frac{1}{2}$.
 - Subtract -3 from both sides.

Name _____

Date _____

Lesson 13: Inequalities

Exit Ticket

Shaggy earned \$7.55 per hour plus an additional \$100 in tips waiting tables on Saturday. He earned at least \$160 in all. Write an inequality and find the minimum number of hours, to the nearest hour, that Shaggy worked on Saturday.

Name _____

Date _____

Lesson 14: Solving Inequalities

Exit Ticket

Games at the carnival cost \$3 each. The prizes awarded to winners cost \$145.65. How many games must be played to make at least \$50?

Name _____

Date _____

Lesson 15: Graphing Solutions to Inequalities

Exit Ticket

The junior high art club sells candles for a fundraiser. The first week of the fundraiser, the club sells 7 cases of candles. Each case contains 40 candles. The goal is to sell at least 13 cases. During the second week of the fundraiser, the club meets its goal. Write, solve, and graph an inequality that can be used to find the possible number of candles sold the second week.

Name _____

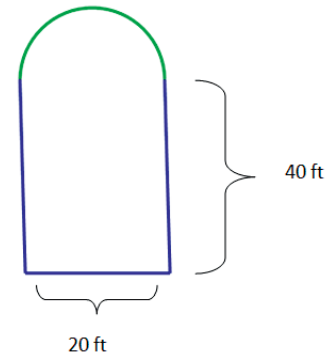
Date _____

Lesson 16: The Most Famous Ratio of All

Exit Ticket

Brianna's parents built a swimming pool in the backyard. Brianna says that the distance around the pool is 120 feet.

1. Is she correct? Explain why or why not.



2. Explain how Brianna would determine the distance around the pool so that her parents would know how many feet of stone to buy for the edging around the pool.

3. Explain the relationship between the circumference of the semicircular part of the pool and the width of the pool.

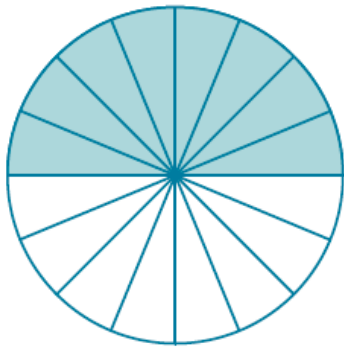
Name _____

Date _____

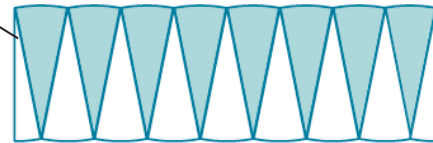
Lesson 17: The Area of a Circle

Exit Ticket

Complete each statement using the words or algebraic expressions listed in the word bank below.



1. The length of the _____ of the rectangular region approximates the length of the _____ of the circle.



2. The _____ of the rectangle approximates the length of one-half of the circumference of the circle.

3. The circumference of the circle is _____.

4. The _____ of the _____ is $2r$.

5. The ratio of the circumference to the diameter is _____.

6. Area (circle) = Area of (_____) = $\frac{1}{2} \cdot \text{circumference} \cdot r = \frac{1}{2}(2\pi r) \cdot r = \pi \cdot r \cdot r =$ _____.

Word bank

radius

height

base

 $2\pi r$

diameter

circle

rectangle

 πr^2 π

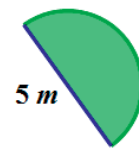
Name _____

Date _____

Lesson 18: More Problems on Area and Circumference

Exit Ticket

1. Ken's landscape gardening business creates odd-shaped lawns that include semicircles. Find the area of this semicircular section of the lawn in this design. Use $\frac{22}{7}$ for π .



2. In the figure below, Ken's company has placed sprinkler heads at the center of the two small semicircles. The radius of the sprinklers is 5 ft. If the area in the larger semicircular area is the shape of the entire lawn, how much of the lawn will not be watered? Give your answer in terms of π and to the nearest tenth. Explain your thinking.



10 ft.

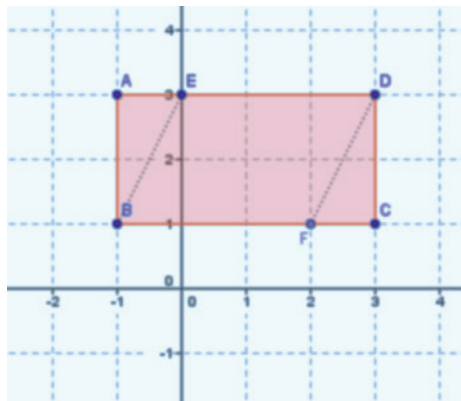
Name _____

Date _____

Lesson 19: Unknown Area Problems on the Coordinate Plane

Exit Ticket

The figure $ABCD$ is a rectangle. $AB = 2$ units, $AD = 4$ units, and $AE = FC = 1$ unit.



1. Find the area of rectangle $ABCD$.
2. Find the area of triangle ABE .
3. Find the area of triangle DCF .
4. Find the area of the parallelogram $BEDF$ two different ways.

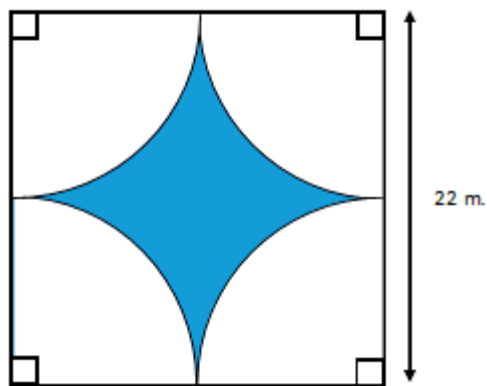
Name _____

Date _____

Lesson 20: Composite Area Problems

Exit Ticket

The unshaded regions are quarter circles. Approximate the area of the shaded region. Use $\pi \approx 3.14$.



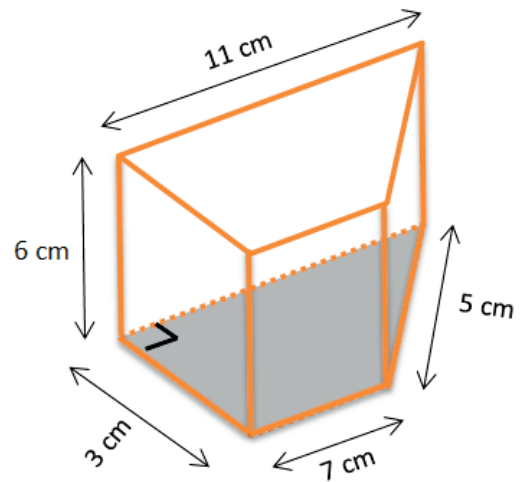
Name _____

Date _____

Lesson 21: Surface Area

Exit Ticket

Find the surface area of the right trapezoidal prism. Show all necessary work.



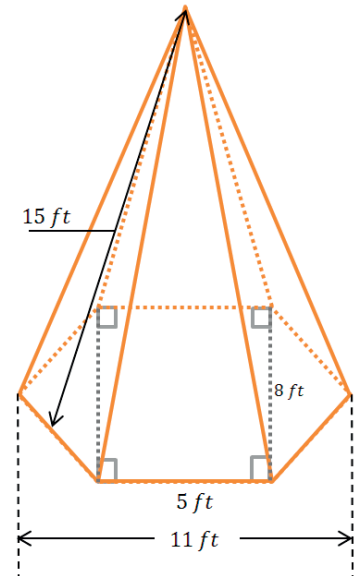
Name _____

Date _____

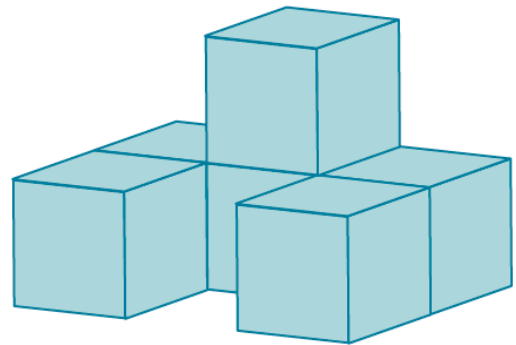
Lesson 22: Surface Area

Exit Ticket

- The right hexagonal pyramid has a hexagon base with equal-length sides. The lateral faces of the pyramid are all triangles (that are exact copies of one another) with heights of 15 ft. Find the surface area of the pyramid.



- Six cubes are glued together to form the solid shown in the diagram. If the edges of each cube measure $1\frac{1}{2}$ inches in length, what is the surface area of the solid?



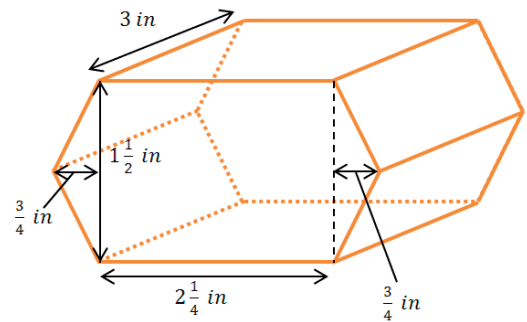
Name _____

Date _____

Lesson 23: The Volume of a Right Prism

Exit Ticket

The base of the right prism is a hexagon composed of a rectangle and two triangles. Find the volume of the right hexagonal prism using the formula $V = Bh$.



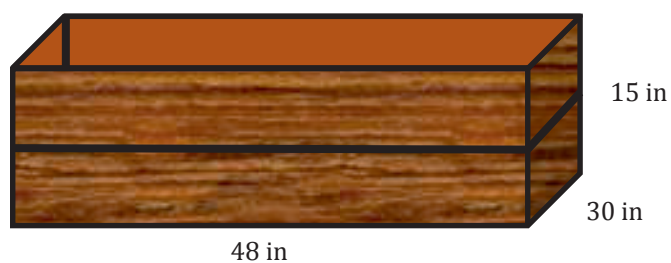
Name _____

Date _____

Lesson 25: Volume and Surface Area

Exit Ticket

Melody is planning a raised bed for her vegetable garden.



- a. How many square feet of wood does she need to create the bed?
-
-
-
-
-
-
-
-
-
-
- b. She needs to add soil. Each bag contains 1.5 cubic feet. How many bags will she need to fill the vegetable garden?

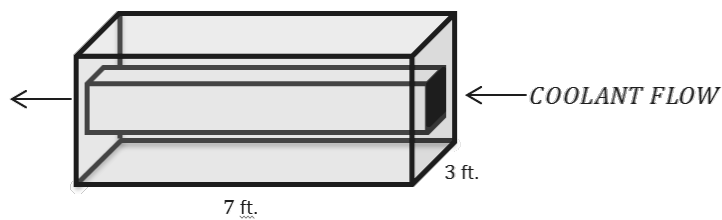
Name _____

Date _____

Lesson 26: Volume and Surface Area

Exit Ticket

Lawrence is designing a cooling tank that is a square prism. A pipe in the shape of a smaller 2 ft \times 2 ft square prism passes through the center of the tank as shown in the diagram, through which a coolant will flow.



- What is the volume of the tank including the cooling pipe?
- What is the volume of coolant that fits inside the cooling pipe?
- What is the volume of the shell (the tank not including the cooling pipe)?
- Find the surface area of the cooling pipe.

Assessment Packet

Name _____

Date _____

Use the expression below to answer parts (a) and (b).

$$4x - 3(x - 2y) + \frac{1}{2}(6x - 8y)$$

a. Write an equivalent expression in standard form, and collect like terms.

b. Express the answer from part (a) as an equivalent expression in factored form.

2. Use the information to solve the problems below.

a. The longest side of a triangle is six more units than the shortest side. The third side is twice the length of the shortest side. If the perimeter of the triangle is 25 units, write and solve an equation to find the lengths of all three sides of the triangle.

- b. The length of a rectangle is $(x + 3)$ inches long, and the width is $3\frac{2}{5}$ inches. If the area is $15\frac{3}{10}$ square inches, write and solve an equation to find the length of the rectangle.
3. A picture $10\frac{1}{4}$ feet long is to be centered on a wall that is $14\frac{1}{2}$ feet long. How much space is there from the edge of the wall to the picture?
- a. Solve the problem arithmetically.

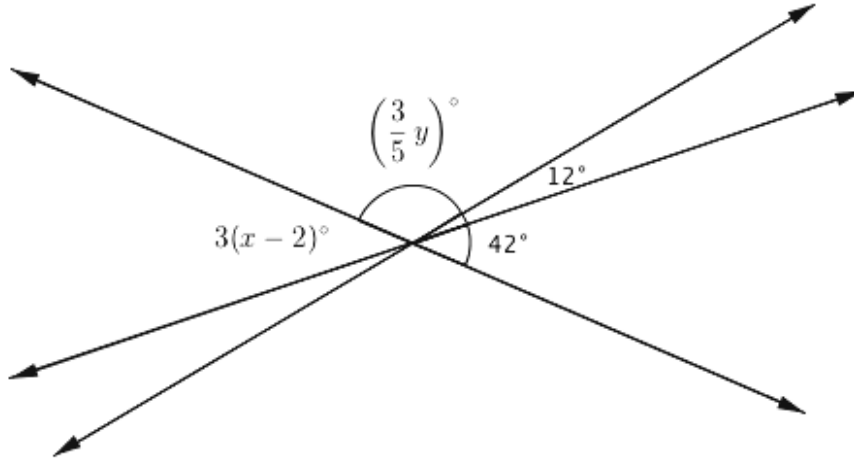
- b. Solve the problem algebraically.
- c. Compare the approaches used in parts (a) and (b). Explain how they are similar.
4. In August, Cory begins school shopping for his triplet daughters.
- a. One day, he bought 10 pairs of socks for \$2.50 each and 3 pairs of shoes for d dollars each. He spent a total of \$135.97. Write and solve an equation to find the cost of one pair of shoes.

- b. The following day Cory returned to the store to purchase some more socks. He had \$40 to spend. When he arrived at the store, the shoes were on sale for $\frac{1}{3}$ off. What is the greatest amount of pairs of socks Cory can purchase if he purchases another pair of shoes in addition to the socks?
5. Ben wants to have his birthday at the bowling alley with a few of his friends, but he can spend no more than \$80. The bowling alley charges a flat fee of \$45 for a private party and \$5.50 per person for shoe rentals and unlimited bowling.
- a. Write an inequality that represents the total cost of Ben's birthday for p people given his budget.

- b. How many people can Ben pay for (including himself) while staying within the limitations of his budget?
- c. Graph the solution of the inequality from part (a).
6. Jenny invited Gianna to go watch a movie with her family. The movie theater charges one rate for 3D admission and a different rate for regular admission. Jenny and Gianna decided to watch the newest movie in 3D. Jenny's mother, father, and grandfather accompanied Jenny's little brother to the regular admission movie.
- a. Write an expression for the total cost of the tickets. Define the variables.

- b. The cost of the 3D ticket was double the cost of the regular admission ticket. Write an equation to represent the relationship between the two types of tickets.
- c. The family purchased refreshments and spent a total of \$18.50. If the total amount of money spent on tickets and refreshments was \$94.50, use an equation to find the cost of one regular admission ticket.

7. The three lines shown in the diagram below intersect at the same point. The measures of some of the angles in degrees are given as $3(x - 2)^\circ$, $(\frac{3}{5}y)^\circ$, 12° , 42° .



- a. Write and solve an equation that can be used to find the value of x .
- b. Write and solve an equation that can be used to find the value of y .

Name _____

Date _____

1. Gloria says the two expressions $\frac{1}{4}(12x + 24) - 9x$ and $-6(x + 1)$ are equivalent. Is she correct?

Explain how you know.

2. A grocery store has advertised a sale on ice cream. Each carton of any flavor of ice cream costs \$3.79.

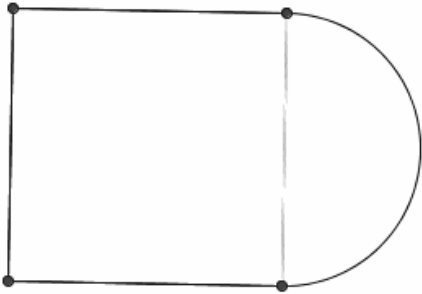
- a. If Millie buys one carton of strawberry ice cream and one carton of chocolate ice cream, write an algebraic expression that represents the total cost of buying the ice cream.

- b. Write an equivalent expression for your answer in part (a).

- c. Explain how the expressions are equivalent.

3. A new park was designed to contain two circular gardens. Garden A has a diameter of 50 m, and garden B has a diameter of 70 m.
- If the gardener wants to outline the gardens in edging, how many meters will be needed to outline the smaller garden? (Write in terms of π .)
 - How much more edging will be needed for the larger garden than the smaller one? (Write in terms of π .)
 - The gardener wishes to put down weed block fabric on the two gardens before the plants are planted in the ground. How much fabric will be needed to cover the area of both gardens? (Write in terms of π .)

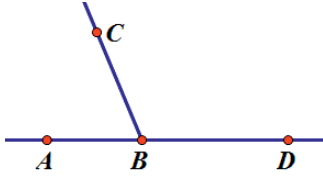
4. A play court on the school playground is shaped like a square joined by a semicircle. The perimeter around the entire play court is 182.8 ft., and 62.8 ft. of the total perimeter comes from the semicircle.



- a. What is the radius of the semicircle? Use 3.14 for π .
- b. The school wants to cover the play court with sports court flooring. Using 3.14 for π , how many square feet of flooring does the school need to purchase to cover the play court?

5. Marcus drew two adjacent angles.

a. If $\angle ABC$ has a measure one-third of $\angle CBD$, then what is the degree measurement of $\angle CBD$?



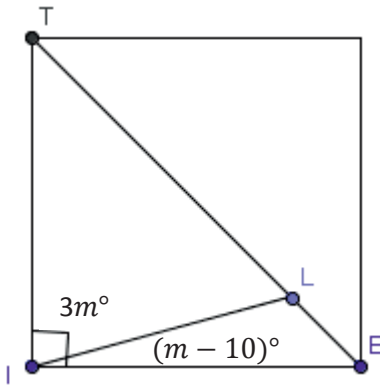
b. If the measure of $\angle CBD$ is $9(8x + 11)$ degrees, then what is the value of x ?

6. The dimensions of an above-ground, rectangular pool are 25 feet long, 18 feet wide, and 6 feet deep.

a. How much water is needed to fill the pool?

- b. If there are 7.48 gallons in 1 cubic foot, how many gallons are needed to fill the pool?
- c. Assume there was a hole in the pool, and 3,366 gallons of water leaked from the pool. How many feet did the water level drop?
- d. After the leak was repaired, it was necessary to lay a thin layer of concrete to protect the sides of the pool. Calculate the area to be covered to complete the job.

7. Gary is learning about mosaics in art class. His teacher passes out small square tiles and encourages the students to cut up the tiles in various angles. Gary's first cut tile looks like this:



- Write an equation relating $\angle TIL$ with $\angle LIE$.
- Solve for m .
- What is the measure of $\angle TIL$?
- What is the measure of $\angle LIE$?